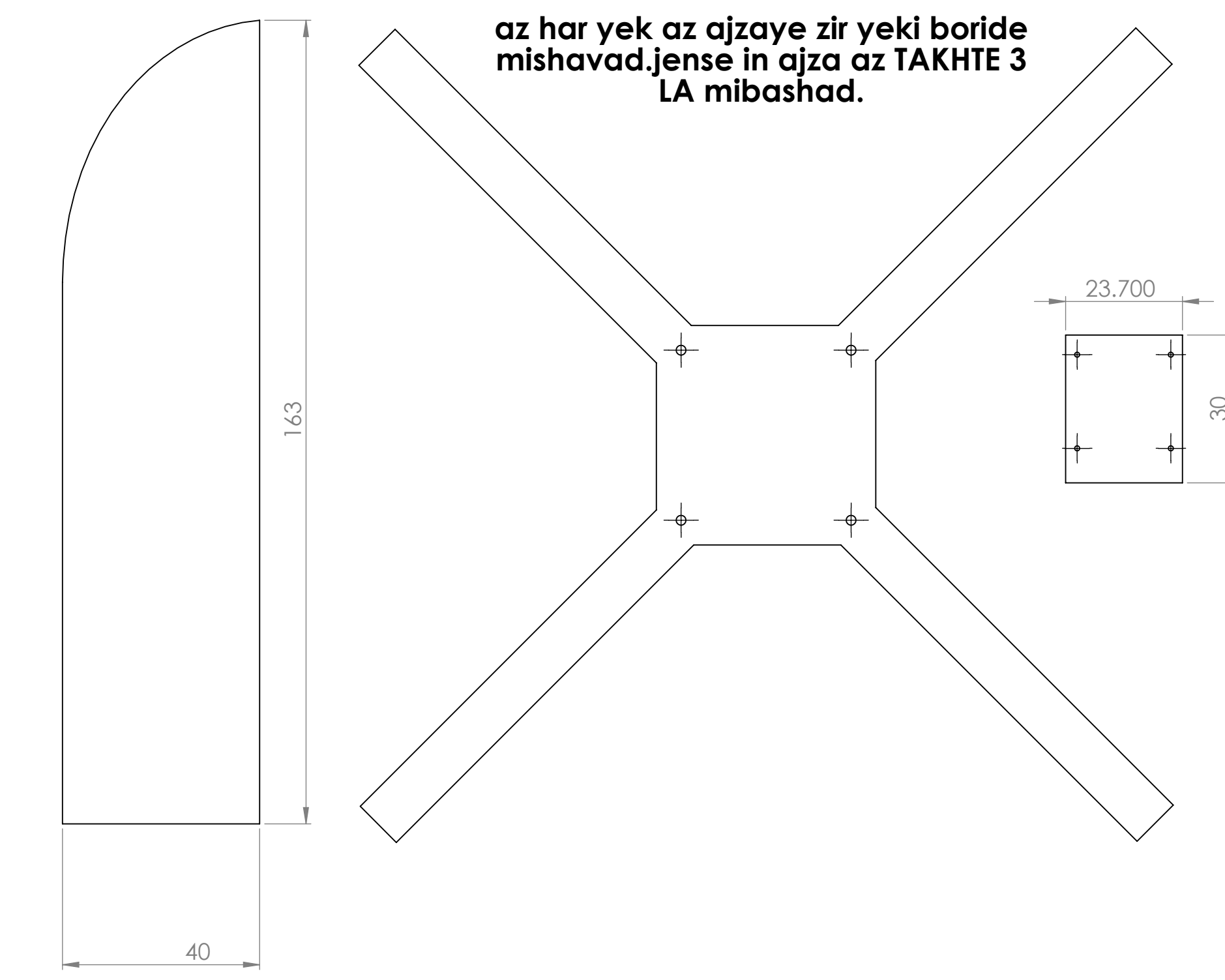
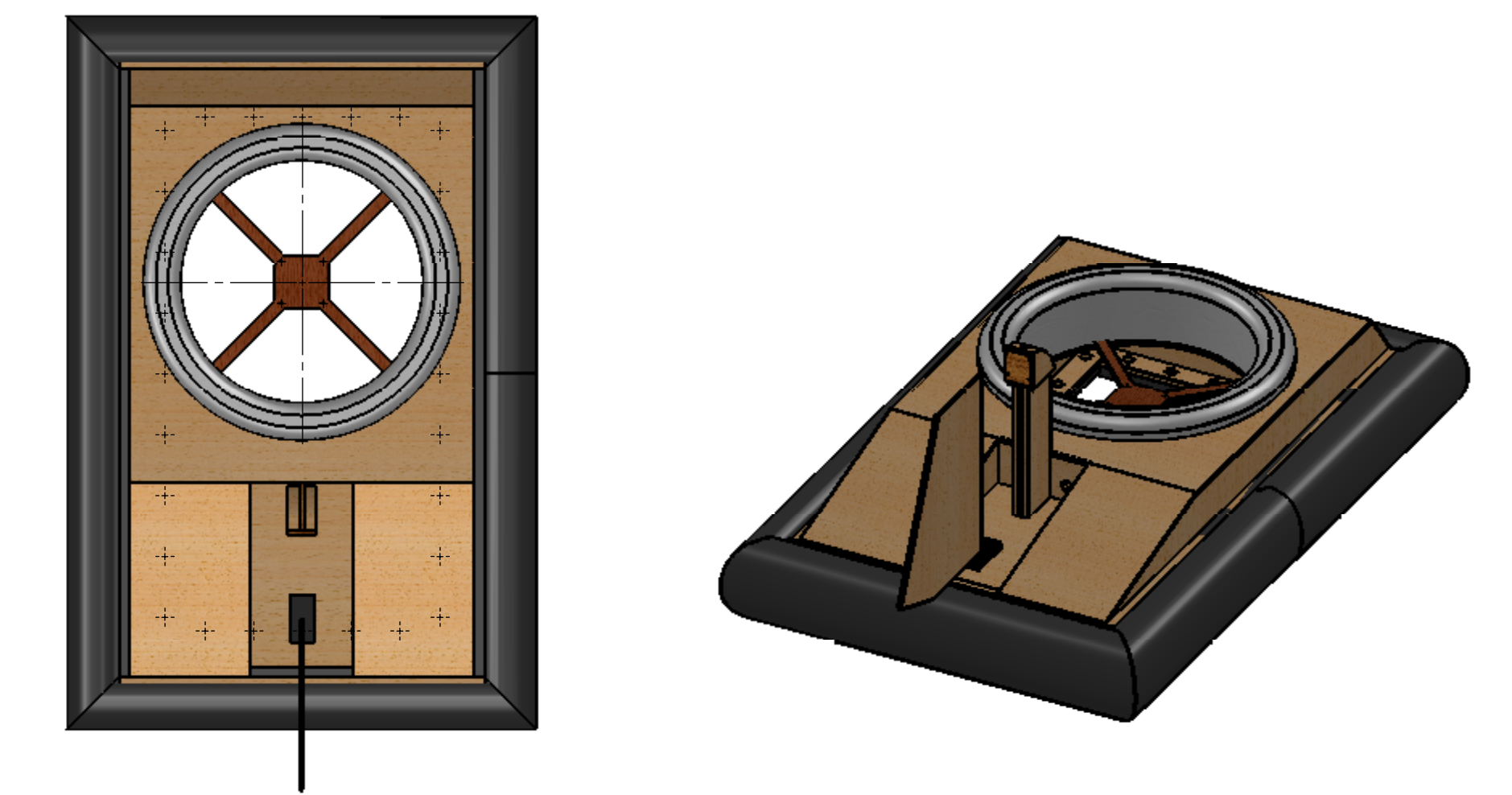
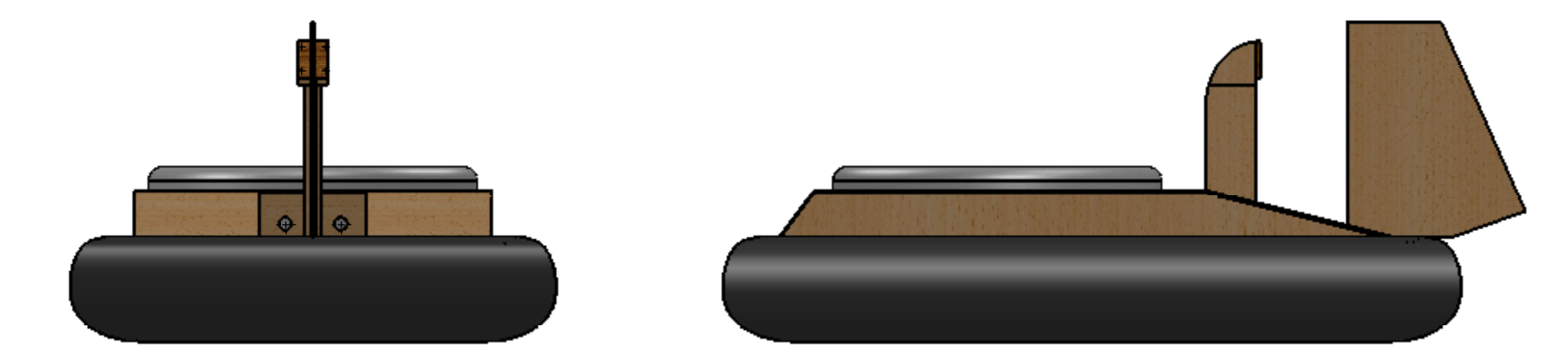
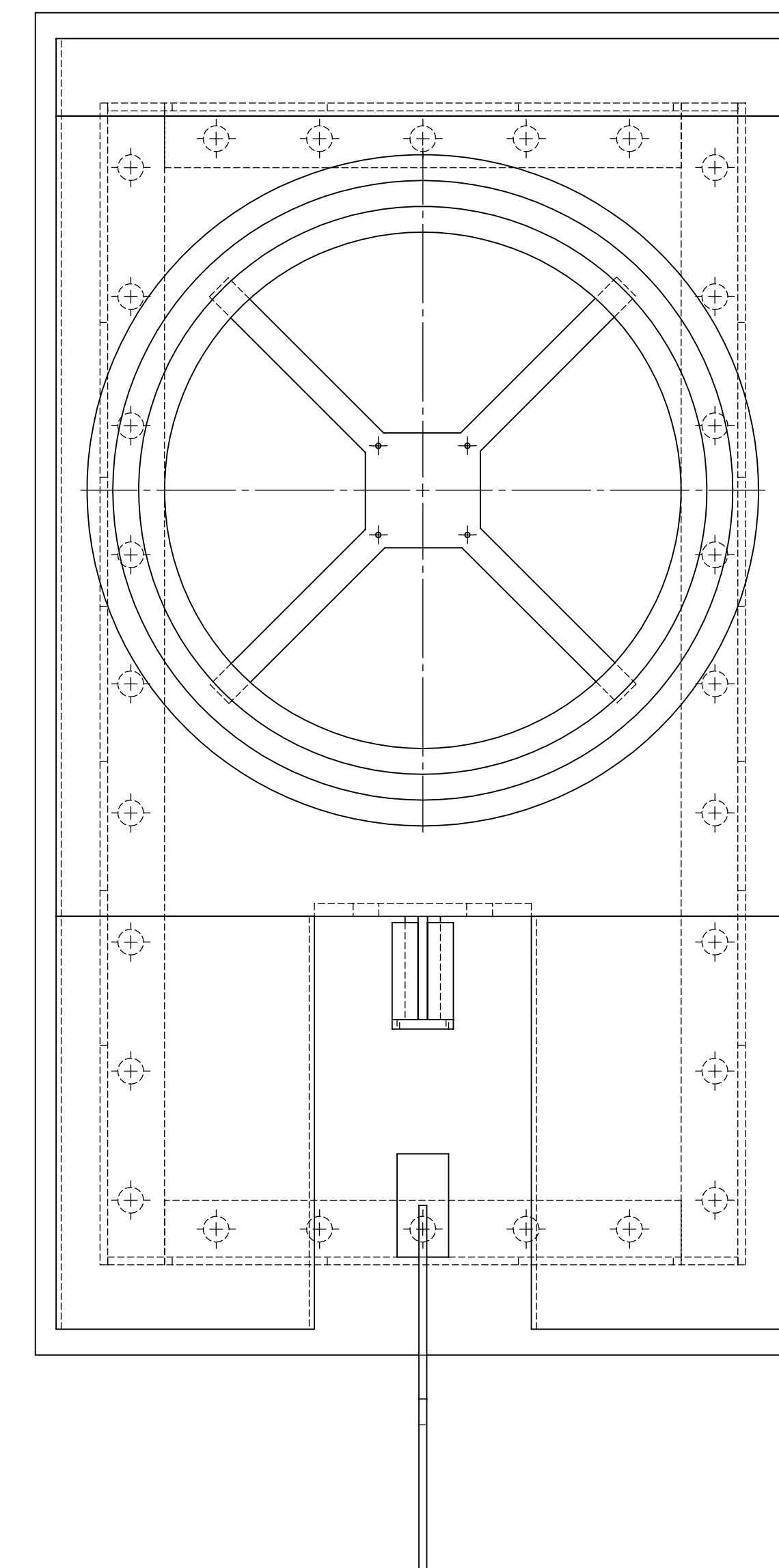
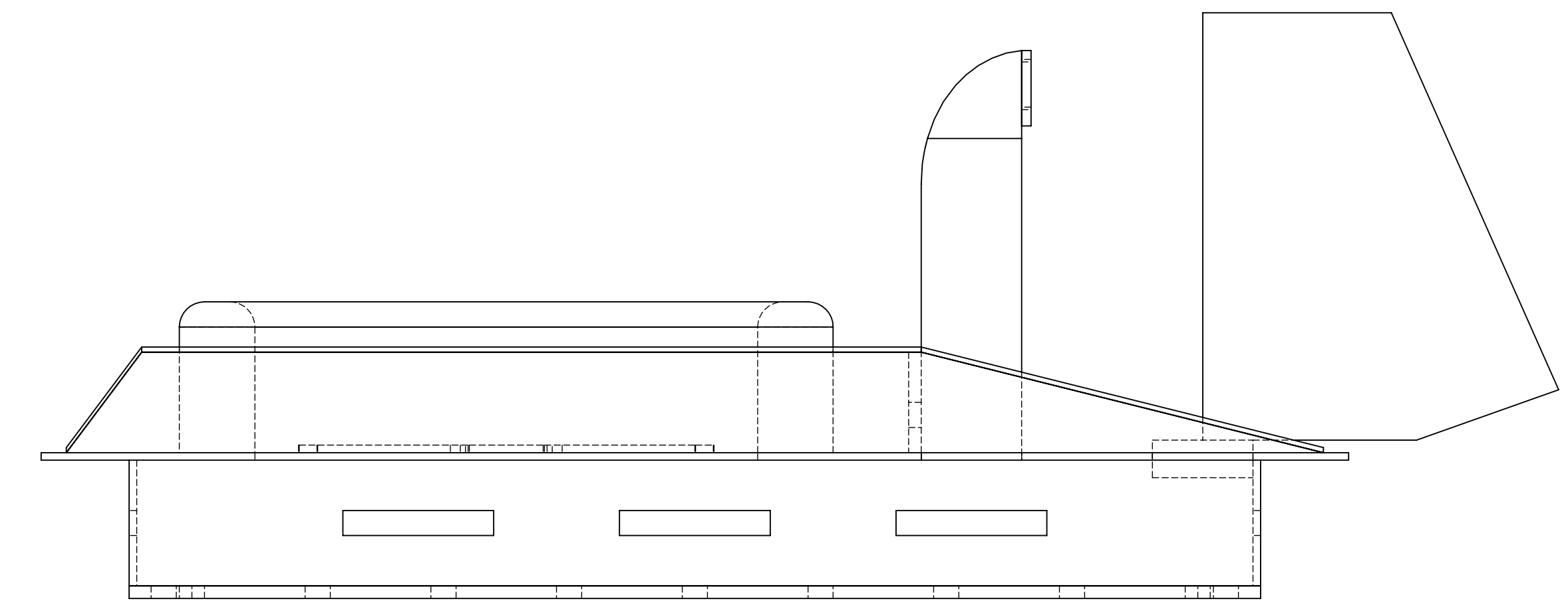
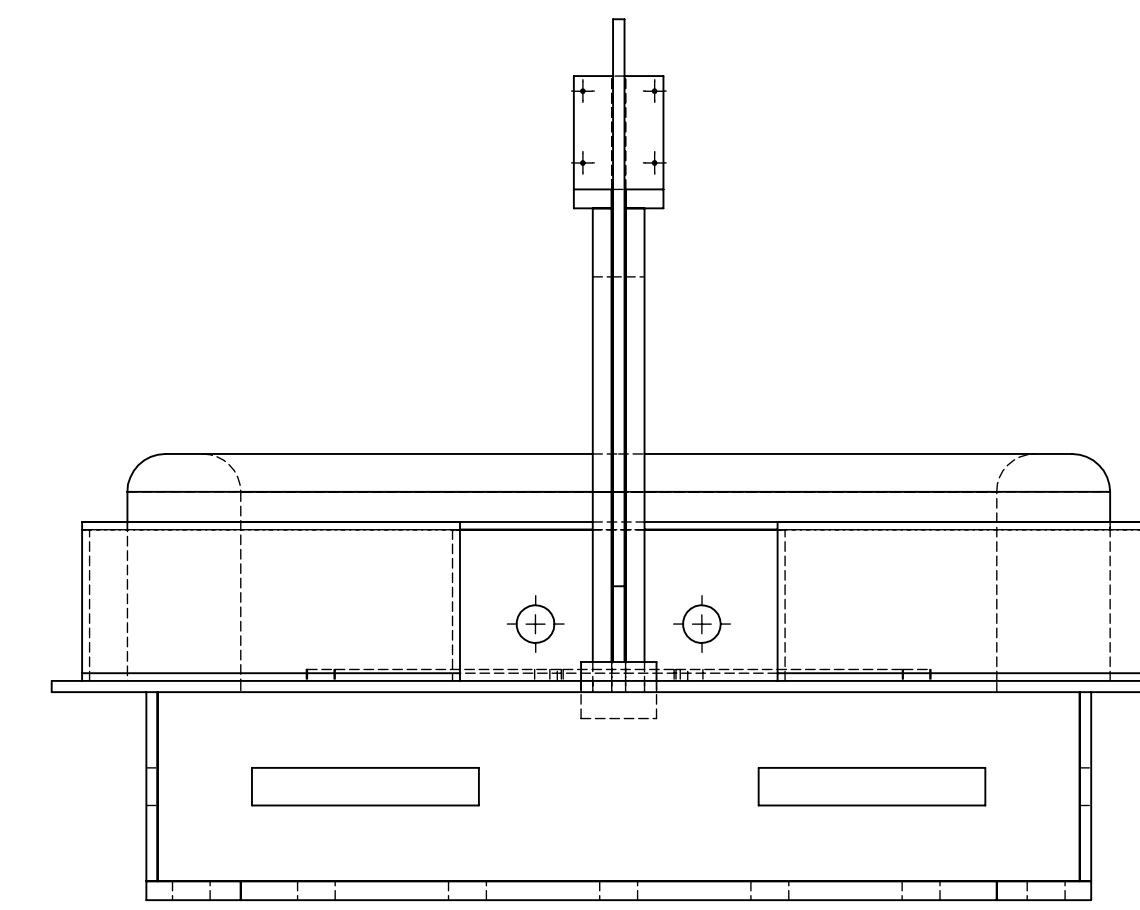


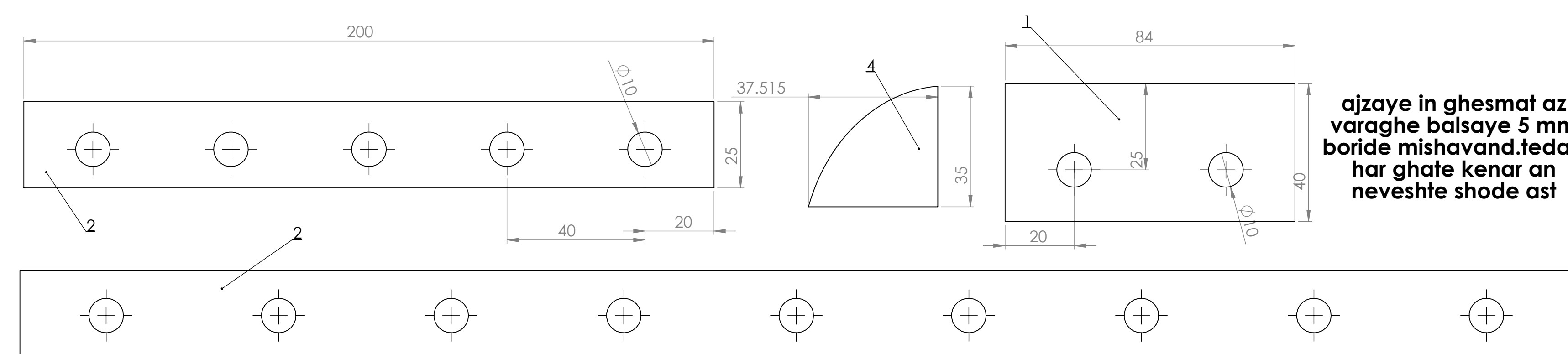
ajzaye in ghesmat hamegi az varaghe balsaye 3 mm boride mishavand.tedad har ghathe be soorate yek adad dar kenare an neveshte shode ast.



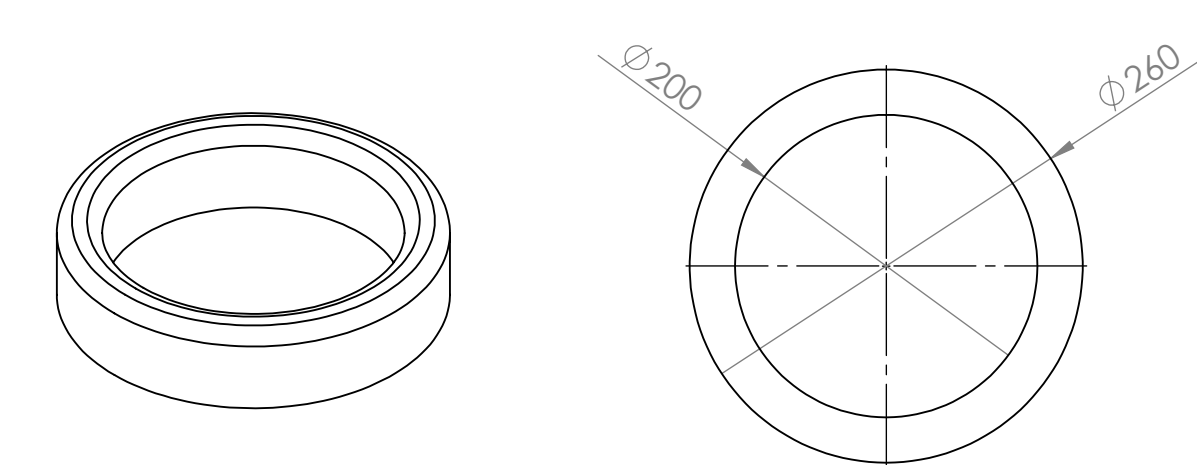
az har yek az ajzaye zir yeki boride mishavad.jense in ajza az TAKHTE 3 LA mibashad.



namaye koli



ajzaye in ghesmat az varaghe balsaye 5 mm boride mishavand.tedad har ghathe kenar an neveshte shode ast



in ghesmat namaye koli duct ma mibashad ke az jense yonolit be zekhamate 6cm ya bishtar sakte mishavad

namaye koli bi skirt